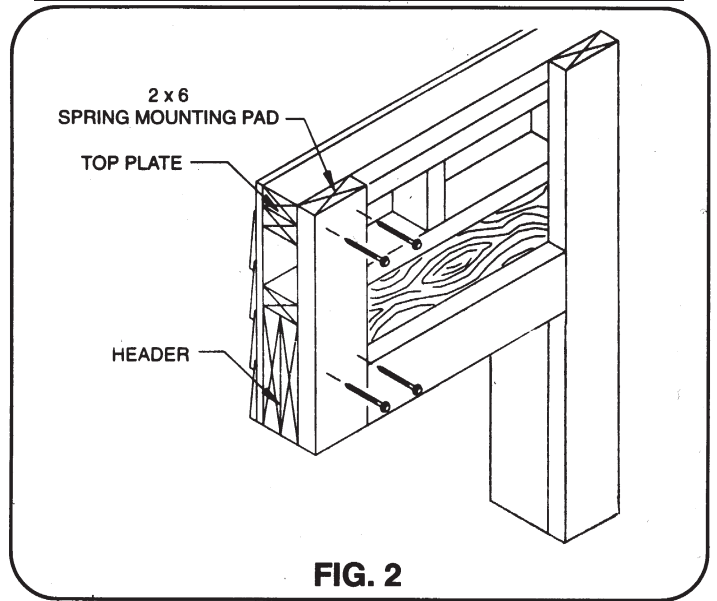
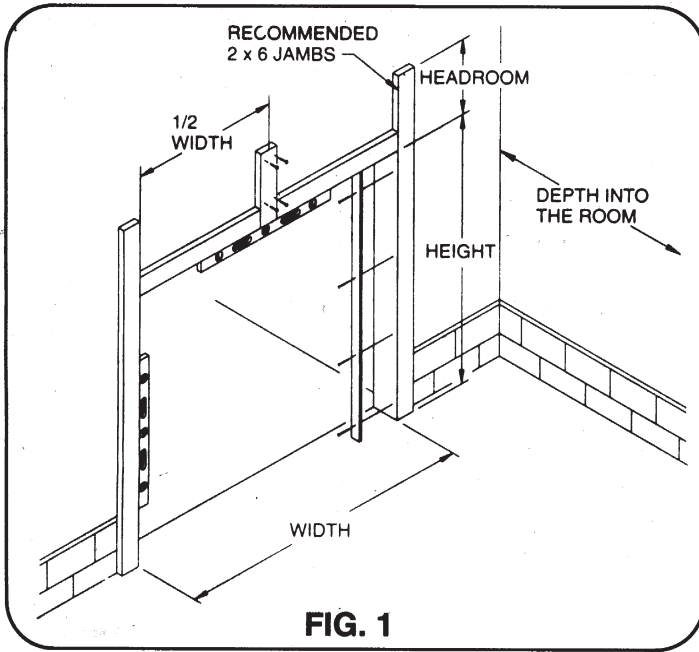


OPENING PREPARATION



Check the opening. It must be the same size as the door. Vertical jambs must be plumb and header must be level to obtain a square opening (FIG. 1). Minimum side clearance is 3-1/2". Two-by-six jambs are recommended for a mounting surface, securely attached to framing. Jambs should extend a minimum of 12" above the door height for extension spring applications and 14" for torsion springs with the exception of LHR track, in which case the jambs should extend to ceiling height.

Header construction is very important, particularly with those doors utilizing torsion springs. In addition to normal header construction, a vertical two-by-six spring pad **MUST** be integrated onto the header for doors utilizing torsion springs. This is for anchoring the center bearing bracket and **MUST** be adequately anchored to header. It is highly recommended that spring mounting pad extend from bottom of header to top of wall for safe installation.

**ALL BOLTS & NUTS MUST BE COUNTERSUNK
 FLUSH WITH JAMB ON MASONRY CONSTRUCTION.**

HEADROOM REQUIREMENTS

TRACK TYPE	6'-5" - 7'-0"		7'-6" - 8'-0"	
	Extension	Torsion Spring	Extension	Torsion Spring
15" Radius track	12"	13"	13"	14"
12" Radius track	11"	11-1/2"	12"	12-1/2"
10" Radius track	8-1/2"	10-1/2"	9-1/2"	11-1/2"
6" LHR Front *	8"	8"	8"	8"
3" LHR Front *	5-1/2"	5-1/2"	5-1/2"	5-1/2"
6" LHR Rear	7-1/4"	7-1/4"	7-1/4"	7-1/4"
3" LHR Rear	4-3/4"	4-3/4"	4-3/4"	4-3/4"

NOTES:

* Front mount LHR double car doors require 1-1/2" additional headroom.
 If the door is to be motor operated, 2-1/2" of additional headroom is required.

MINIMUM DEPTH INTO ROOM REQUIREMENTS

MANUAL LIFT DOORS:

Standard Lift 6'-6" & 7'-6" High - Door Height plus 20"
 Standard Lift 7'-0" & 8'-0" High - Door Height plus 14"
 Front Mount LHR 6'-6" & 7'-6" High - Door Height plus 28"
 Front Mount LHR 7'-0" & 8'-0" High - Door Height plus 22"
 Rear Mount LHR 6'-6" & 7'-6" High - Door Height plus 31"
 Rear Mount LHR 7'-0" & 8'-0" High - Door Height plus 25"

MOTOR OPERATED DOORS:

6'-5" & 7'-0" High - 10'-4"
 7'-6" & 8'-0" High 11'-4"